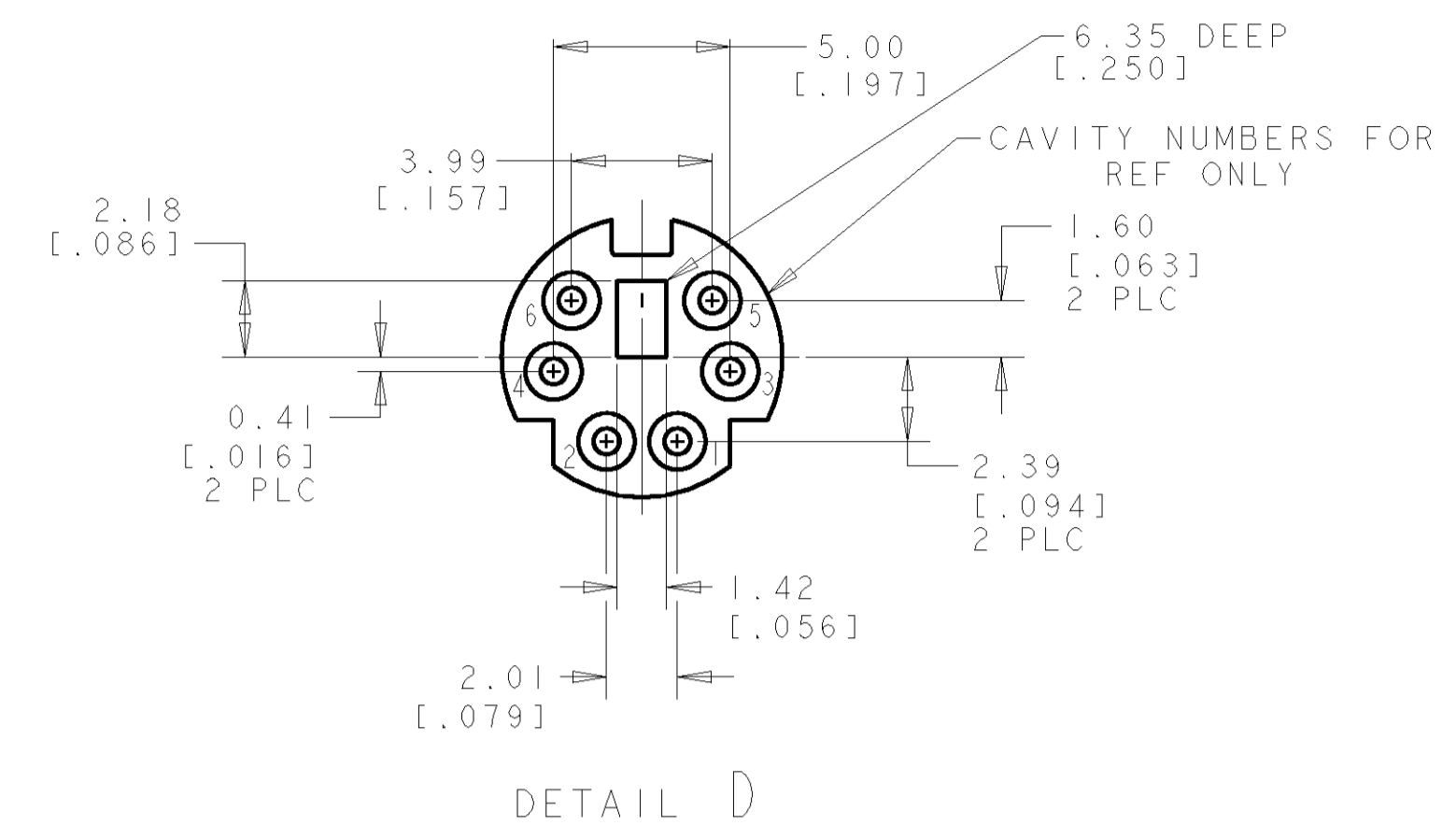
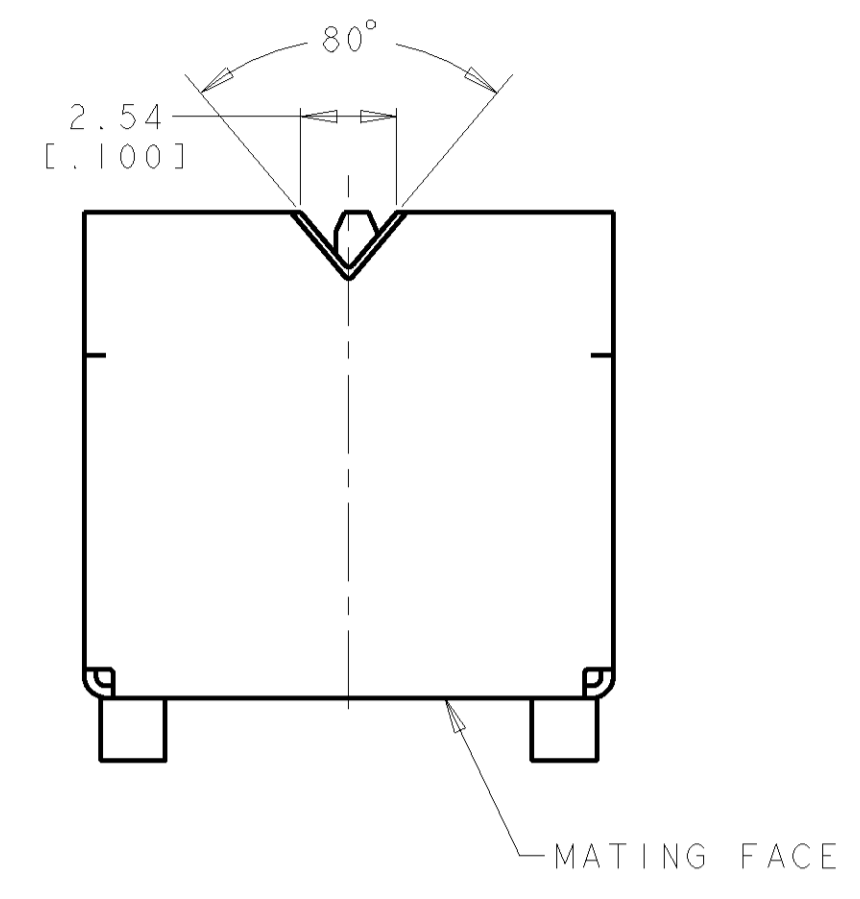
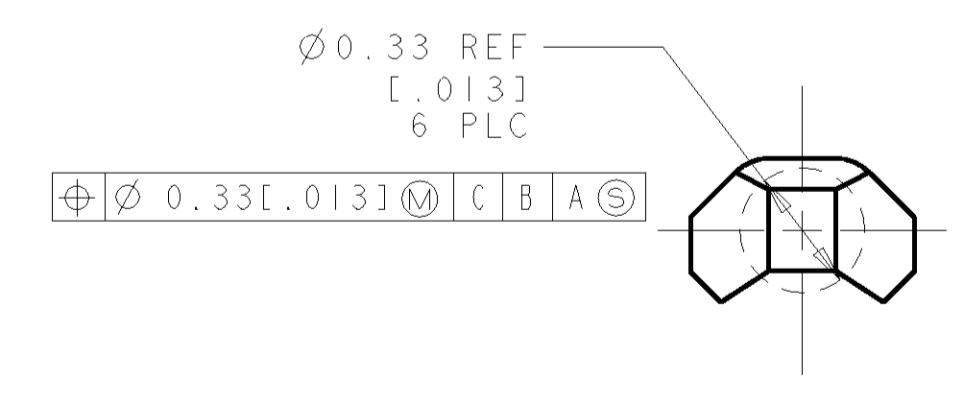
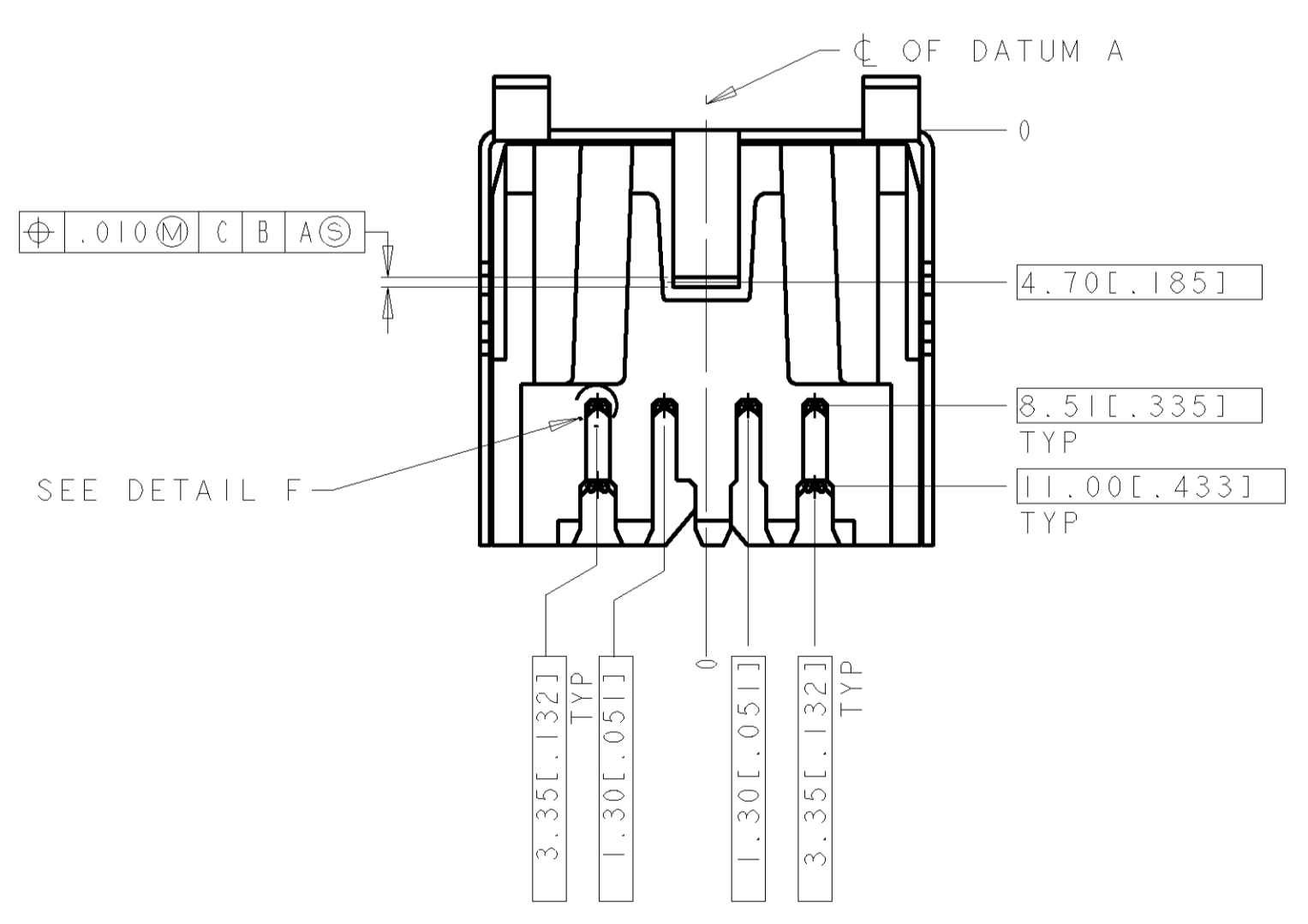
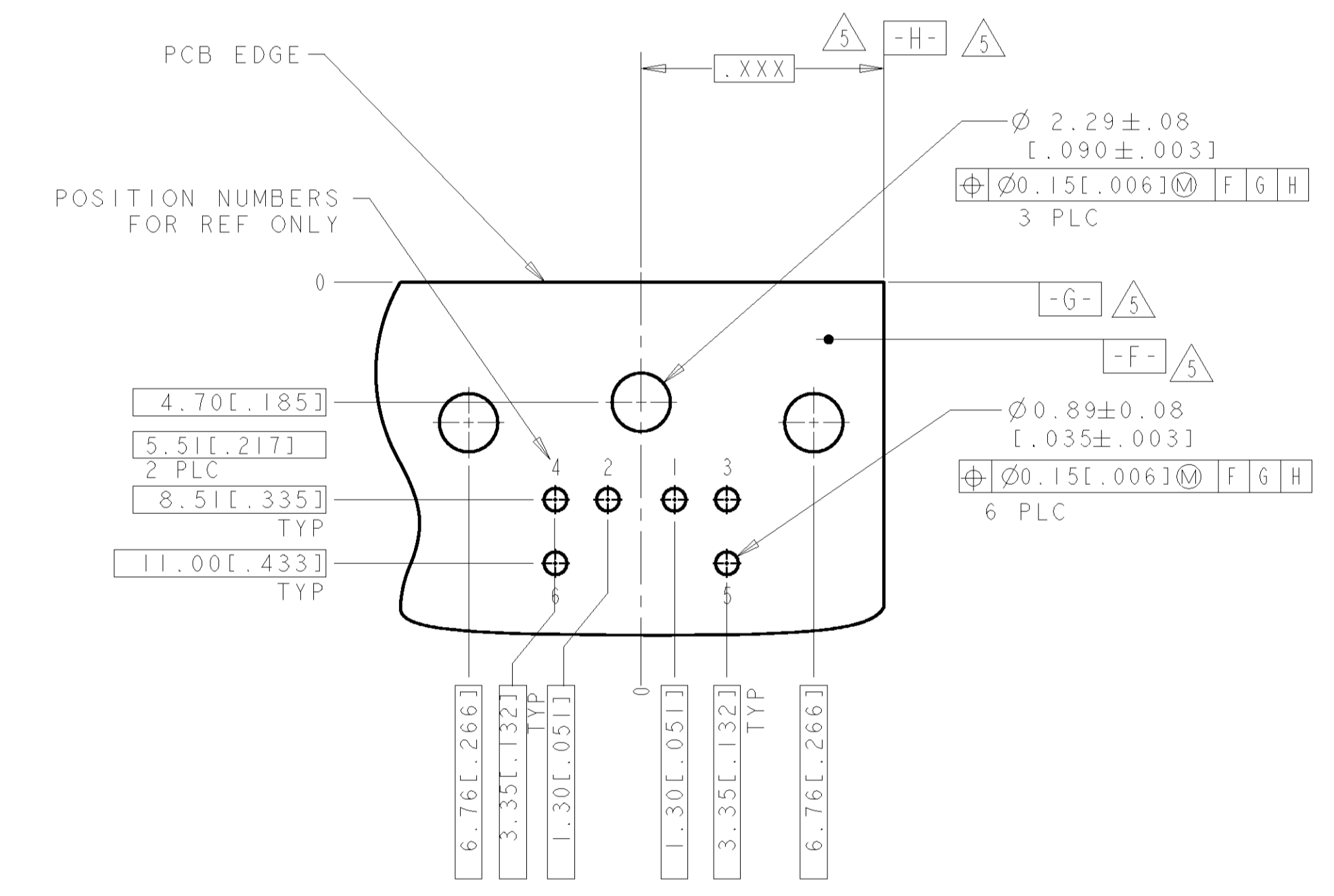
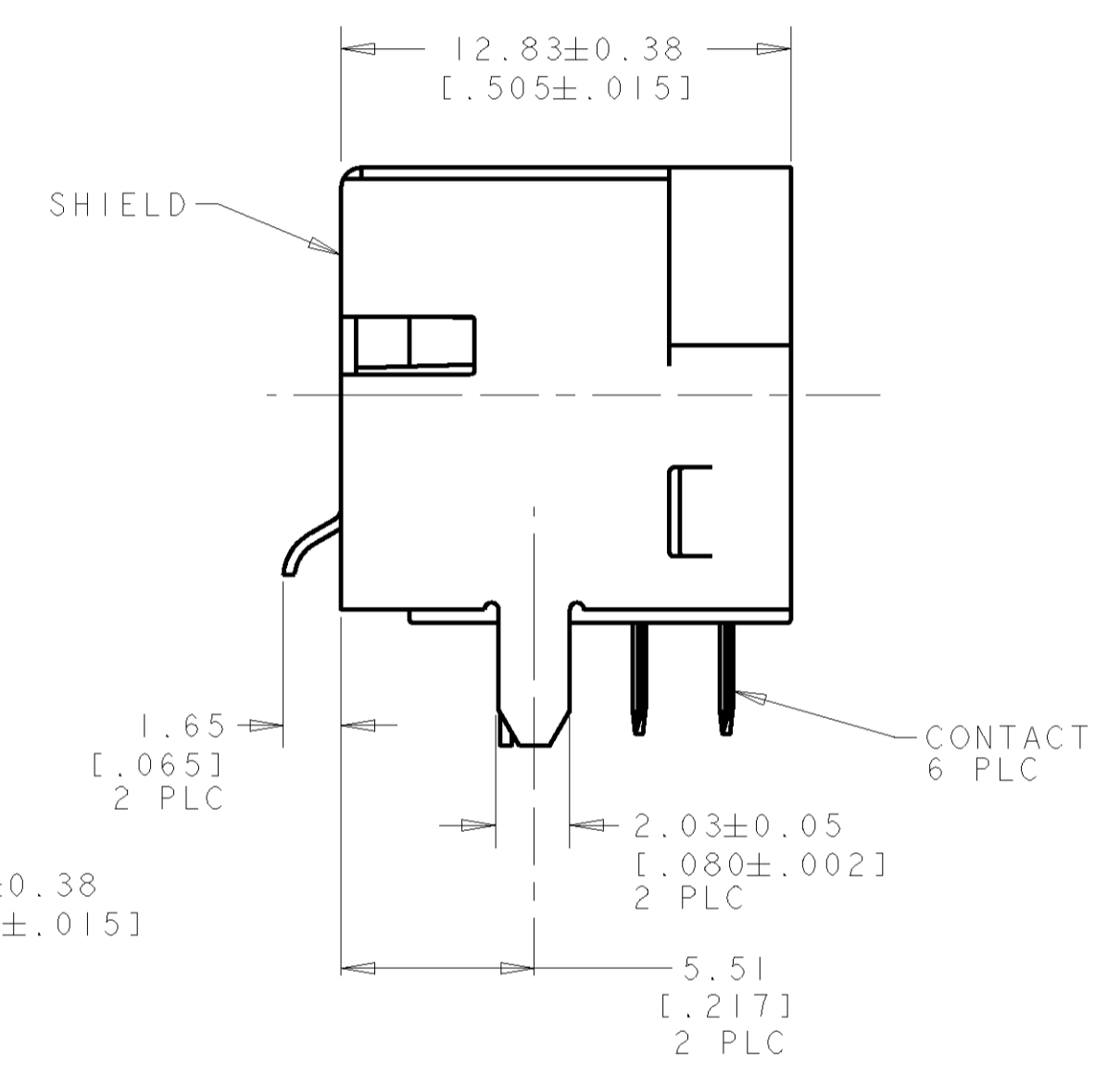
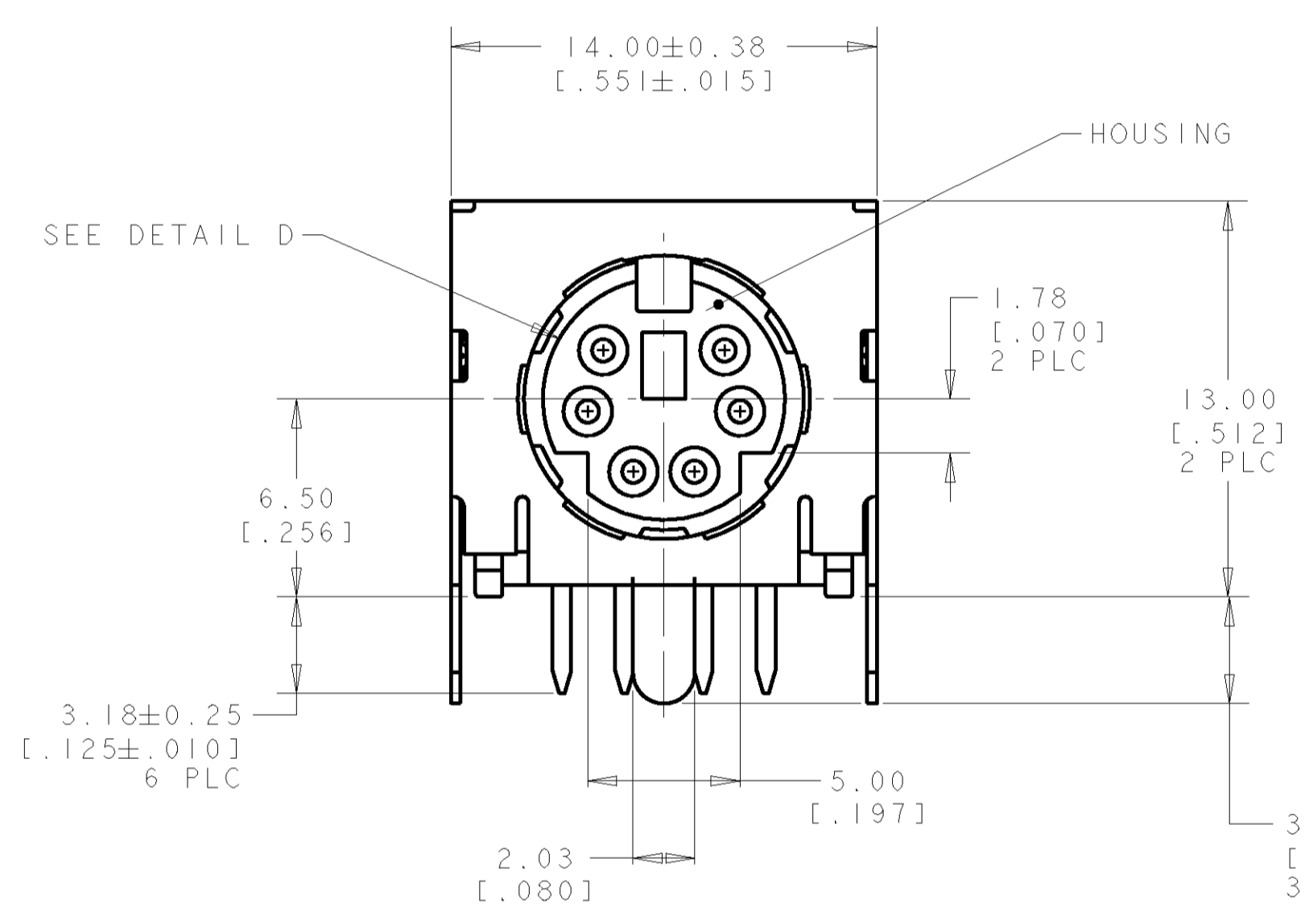


LOC	DIST	REVISIONS			
F	LTR	DESCRIPTION	DATE	DNM	APRD
P		REVISED PER ECO-11-005139	19MAR11	RK	HMR



- 1 SHIELD & CONTACTS: COPPER ALLOY.
HOUSING: POLYESTER, UL 94V-0 RATED, BLACK.
- 2 0.76 μm [.000030] MIN GOLD FOR A LENGTH OF 1.27 [.050] MIN FROM MATING END, 3.05 μm [.000120] MIN MATTE-TIN ON OPPOSITE END, BOTH OVER 1.27 μm [.000050] MIN NICKEL.
- 3 1.50-4.00 μm [.000059-.000158] THICK BRIGHT TIN.
- 4 GOLD PLATING PER MIL-G-45204, TIN PLATING PER MIL-T-10727, NICKEL PLATING PER QQ-N-290.
- 5 DATUMS AND BASIC DIMENSION SUPPLIED BY CUSTOMER.



DETAIL F
SCALE 50:1

RECOMMENDED PC BOARD LAYOUT
BOTTOM VIEW

P/N: 5750071-1 AS SHOWN

DIMENSIONS: mm [INCHES]		TOLERANCES UNLESS OTHERWISE SPECIFIED:		DW: WYLEE 05JAN2005		TE Connectivity	
0 PLC	±	1 PLC	±	2 PLC	±	3 PLC	±
4 PLC	±	5 PLC	±	6 PLC	±	7 PLC	±
8 PLC	±	9 PLC	±	10 PLC	±	11 PLC	±
12 PLC	±	13 PLC	±	14 PLC	±	15 PLC	±
MATERIAL				FINISH			
CUSTOMER DRAWING				SCALE 5:1 SHEET 1 OF 1 REV P			